

INSTALLATION AND CONNECTIONS DIMMERS.

The dimmers are fitted with a mounting plate / cooling plate. This plate has 4 slots that can be used to mount it on a flat surface wall. Always install the dimmer on a ventilated and cool environment. Avoid heat and sunlight! The dimmer controllers can be mounted indoor or outdoor (plugin dimmer always indoor).

Each dimmer is protected against overheating (max. 60 °C): the dimmer switch itself off when the temperature in the control box near the dimmer module is exceeded!

In addition, each output protected against short circuits by a two-pole circuitbreaker: short circuit or exceeding the load the circuitbreaker automatic switch off (excluded the plugin dimmer)!

Connecting the dimmer controller is simple. On the circuitbreaker (output) is connected the load and the power supply (230Vac, L + N + PE) connected on terminals (input / N1 L1 / L2-N2) The dimmer controller must be installed in accordance with DIN and EN standards and regulations. An improper installation can have a negative effect and thereby cause damage to the electronic components (each dimmer controller is carefully tested and inspected according to EN and ISO).

The dimmer controller is available in various versions:

Manual: the potentiometer located behind the transparent cover.

Wireless: The dimmer can be controlled (zone 1 = 1 button on the transmitter > dim / on / off) via a four channel transmitter

Home automation: from external control (0-10V), the dimmer can be operated.

Plugin: potentiometer, and the on / off switch is located on the front side (depends on the type and model)

Manual:

The potentiometer (knob) is located behind the transparent cover. Clockwise rotation: 100%, 0% counterclockwise. With the circuitbreaker the output can be disabled.

Wireless:

The 4 channel transmitter, this is standard supplied with it, has 4 buttons: 1, 2, 3 and 4. The receiver module is the trigger value given.

With one button it can be dimmed (from 0 > 100% or 100 > 0%) or enable or disable. The operation is preset! With the fuse the output can be disabled.

Home automation:

The dimmer controllers can be controlled using 0-10Vdc control voltages. One of the control systems, for example, a 0-10Vdc thermostat (proportionally) as the TH-TH-PID or MODU.

Of course, it is also possible to add an external receiver (outputs voltage up to 10Vdc), and an associated transmitter. With the fuse the output can be disabled.

Plugin:

The potentiometer and on / off switch (knob) is located on the front (depends on the type and model). Clockwise rotation: 100%, 0% counterclockwise, off: 0, enable: 1. The dimmer has no output protection!.

Optional:

The wireless dimmer controller can be controlled by a transmitter with an OLED display and / or with a touchscreen module.

Various:

It is possible that the dimmer descriptions are added that are not in Dutch, but in English.

It is recommended that an isolation switch is mounted, between the power supply and dimmer controller. Also possible with a socket / plug connection. All dimmers are equipped with a thermal switch (switch to prevent overheating and automatically restarts) or a output protection.

Exclusions:

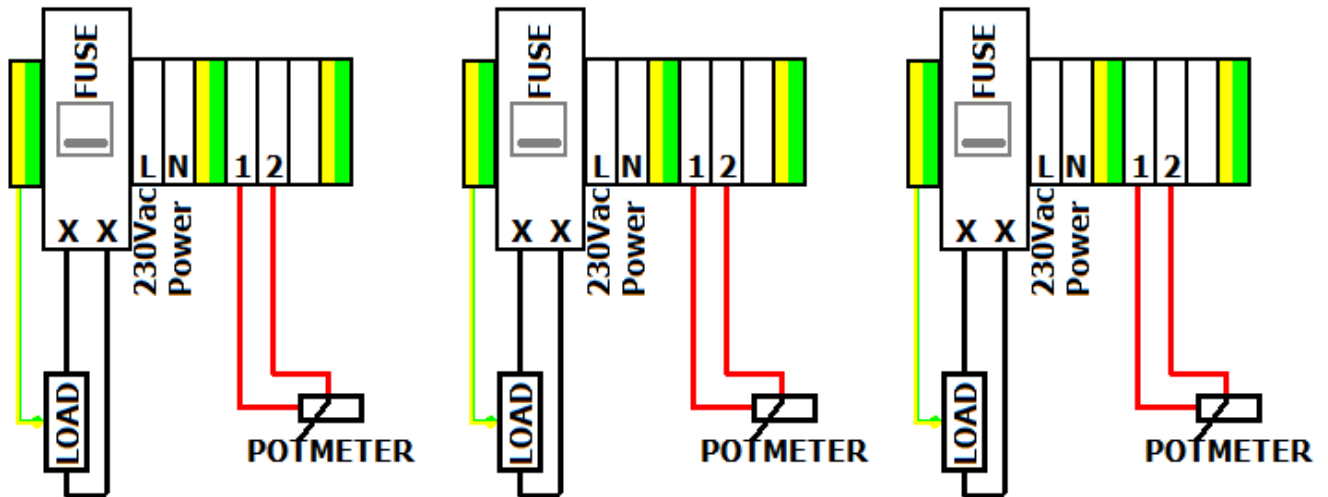
Overheating, faulty installation, short circuits, controller adjustments, improper cooling / ventilation. It expires immediately the 1-year warranty!

Certification:

CE, EN, IEC



Connection table, wall mounted dimmers;



Yellow / green: PE (Protection Earth) or grounding.

Load: Is the connected heatingelement.

Fuse: To protect against shortcuts and overload.

L / N: 230Vac voltage.

Potmeter: it's the knob in front of the cabinet to control the load.

BEWARE;

When a patioheater, which has a bulb, is being controlled with a dimmer the controlled load must be 30~40% lower then the given specifications of the dimmer. For example a 3000W dimmer can control a 1800W~2100W patioheater.